

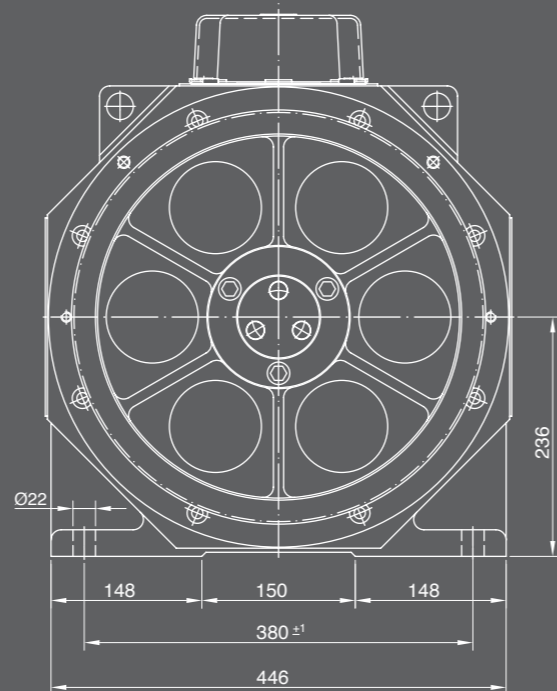
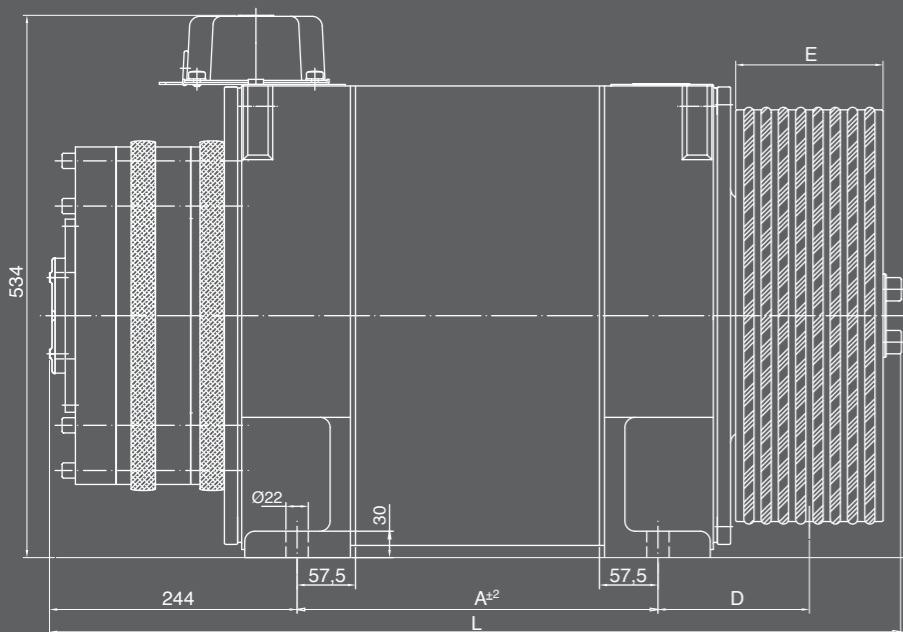
The perfect machine for installations with strong traffic and / or lifted loads.



Dimensions

	A	L
maxiACT 200	305	788
maxiACT 250	355	838
maxiACT 350	455	938
maxiACT 400	505	988

Pulley	Cable Ø	E
Ø 320 – 10 slots	8	155
Ø 400 – 6 slots	10	130
Ø 400 – 8 slots	10	145



- The protection degree of the motors is IP41
- Insulating materials: F class
- Brake: 207V (DC) / I= 0,8^a
- Course up to 20 meters
- Maximal environmental temperature: (-5°C to +40°C.)
- Consult about other speeds
- Encoder HEIDENHAIN 413

Static load:
5.700 Kg

20 meters of route,
counterbalance to 50% and
factor of march to 40% E/D

Technical Characteristics

Motor	Reference	Load (Kg)	Pulley (mm)	Cable (mm)	Suspension	Speed (m/s)	Power (Kw)	Nominal I. (Amp)	Torque (Nm)	Rpm	Frequency (Hz)	connections/hour	N. of Poles	Nominal V. (V)
MAXI 250	6040.110	600	400	4x10	1/1	1	4,1	13,2	810	48	8	180	20	300
MAXI 250	9040.110	900	400	6x10	1/1	1	6,1	20,6	1215	48	8	180	20	300
MAXI 250	1240.210	1200	400	4x10	2/1	1	8	21,5	795	95	15,9	180	20	300
MAXI 250	1640.210	1600	400	6x10	2/1	1	10,7	30,8	1070	95	15,9	180	20	300
MAXI 250	6040.116	600	400	4x10	1/1	1,6	6,5	20,5	810	76	12,7	180	20	300
MAXI 250	9040.116	900	400	6x10	1/1	1,6	9,7	31,5	1215	76	12,7	180	20	300
MAXI 250	1240.216	1200	400	4x10	2/1	1,6	12,7	32	795	153	25,5	180	20	300
MAXI 250	1640.216	1600	400	6x10	2/1	1,6	17,1	42,5	1070	153	25,5	180	20	300
MAXI 250	7532.110	750	320	8X8	1/1	1	5,4	15	870	60	9,9	180	20	300
MAXI 250	10032.110	1000	320	10X8	1/1	1	7,2	20,2	1150	60	9,9	180	20	300
MAXI 250	7532.116	750	320	8X8	1/1	1,6	8,64	24	870	96	15,84	180	20	300
MAXI 250	10032.116	1000	320	10X8	1/1	1,6	11,52	32,8	1150	96	15,84	180	20	300
MAXI 250	16032.210	1600	320	8X8	2/1	1	11	28	880	119	19,9	180	20	300
MAXI 250	20032.210	2000	320	10X8	2/1	1	13,8	35	1100	119	19,9	180	20	300
MAXI 250	16032.216	1600	320	8X8	2/1	1,6	17,6	39	880	190,4	31,84	180	20	300
MAXI 250	20032.216	2000	320	10X8	2/1	1,6	22,08	49	1100	190,4	31,84	180	20	300
MAXI 350	1040.110	1000	400	6x10	1/1	1	6,7	24	1335	48	8	180	20	300
MAXI 350	1240.110	1200	400	8x10	1/1	1	8,1	30	1615	48	8	180	20	300
MAXI 350	2040.210	2000	400	7X10	2/1	1	13,3	36,7	1330	95	15,9	180	20	300
MAXI 350	2540.210	2500	400	8X10	2/1	1	16,5	48,8	1645	95	15,9	180	20	300
MAXI 350	1040.116	1000	400	6x10	1/1	1,6	10,7	33,5	1335	76	12,7	180	20	300
MAXI 350	1240.116	1200	400	8x10	1/1	1,6	12,9	42	1615	76	12,7	180	20	300
MAXI 350	2040.216	2000	400	7X10	2/1	1,6	21,3	55	1330	153	25,5	180	20	300
MAXI 350	2540.216	2500	400	8X10	2/1	1,6	26,3	70,3	1645	153	25,5	180	20	300

This is the general catalogue of our products. For a more specific motor, please contact us so we can make you a study.

Trying to reach a constant improvement, the company reserves the right to made any appropriate modification.